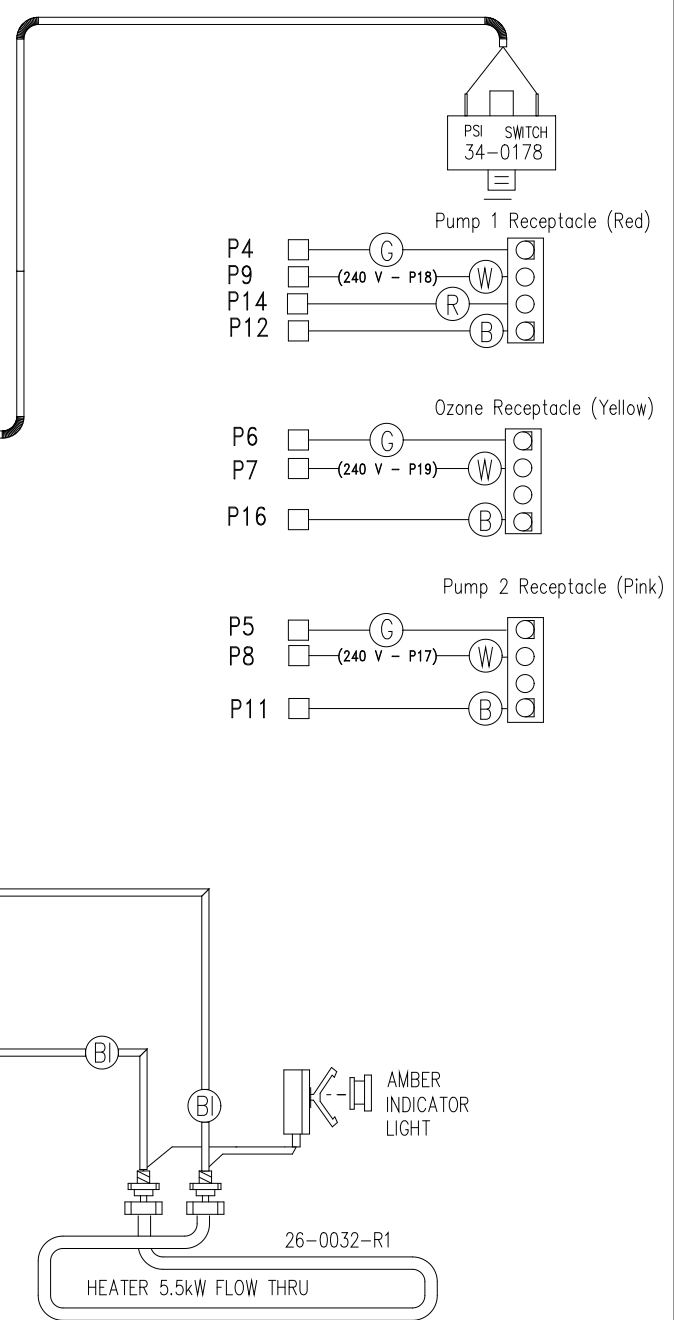
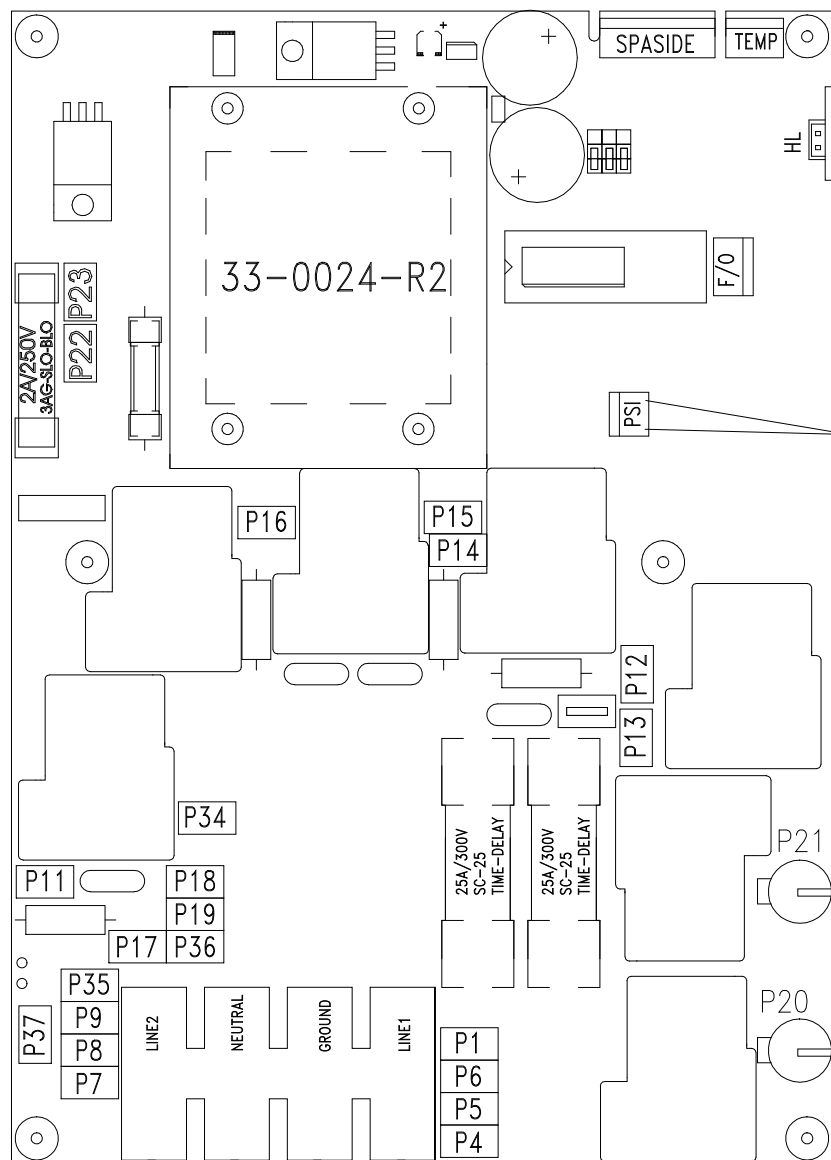
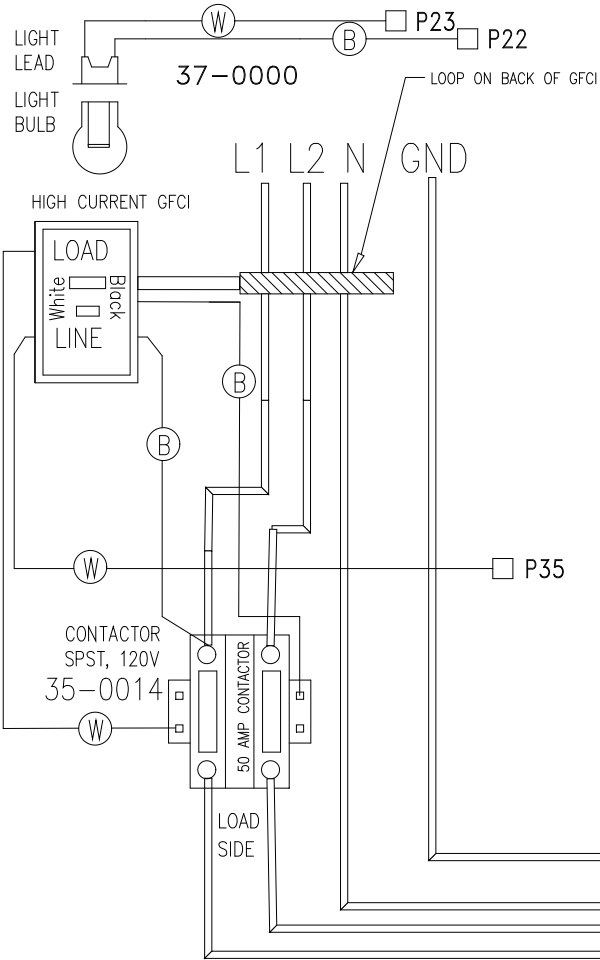


JUMPER SETTINGS

- JMP1 - HC MODE
- JMP2 - °F UNITS
- JMP3 - NO CIRC PUMP

LEGEND

- 1/4" QUICK CONNECT
- 1/4" QUICK CONNECT PIGGYBACK
- FORK CONNECTOR
- RING CONNECTOR
- SOCKET CONNECTOR
- PIN CONNECTOR



HYDRO-QUIP
CORONA, CA (909) 273-7575

Manufacture Notes:

Approved By:

Dwg. No.
J550AH-DKQY

Drawn
BH

Rev
3

Wire Color Code

Date
06.14.01

Diagram No.
4813

- B - Black
- Br - Brown
- R - Red
- O - Orange
- Y - Yellow
- G - Green
- Bl - Blue
- V - Violet
- W - White
- Gr - Gray